

MINIMAL SOLIDS-HANDLING, MEDIUM-HEAD, EXPLOSION-PROOF, ELECTRIC MOTOR-DRIVEN, SELF-PRIMING CENTRIFUGAL PUMPS

Gorman-Rupp explosion-proof, self-priming centrifugal pumps are designed for use in hazardous environments and/or for handling flammable liquids. 1-1/4" and 1-1/2" NPT port sizes available with single or three-phase explosion-proof motors with horsepowers from 1/2 to 1-1/2.

All models are self-priming and are equipped with Viton® seals with carbon and Ni-resist faces capable of handling liquids with temperatures to 160° F. Maximum operating pressure to 47 psi.



Model: 81 1/2D3-X.75 1P

FEATURES

- Cast iron construction
- Viton® seals with carbon/Ni-resist faces
- 1-1/4" & 1-1/2" NPT port sizes
- Self-priming up to 20 ft. (6,1 m) lift
- Copper alloy impeller
- Maximum operating pressure to 47 psi (3,2 bar)
- Maximum temperature 160° F (71° C)
- Solids-handling up to 9/32" (7 mm) diameter
- 1/2 to 1-1/2 hp single and three-phase 3450 rpm explosion-proof motors

GENERAL INFORMATION

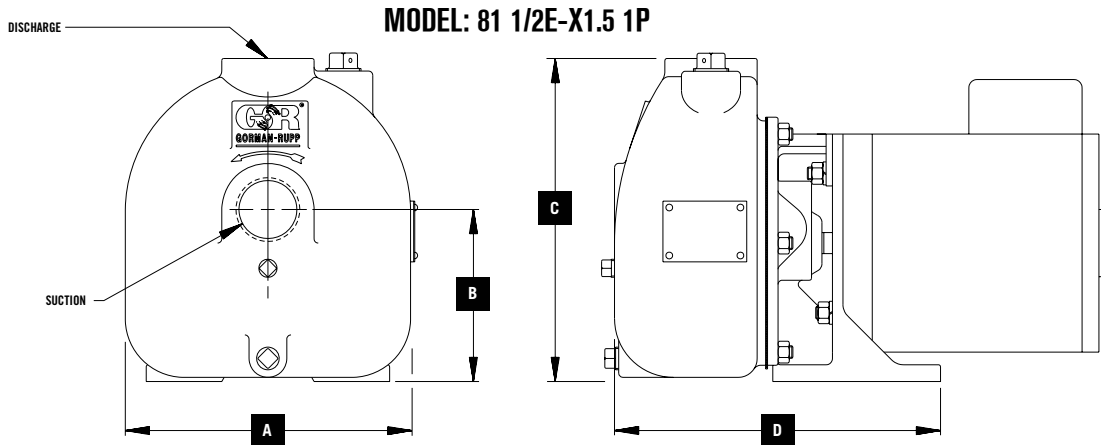
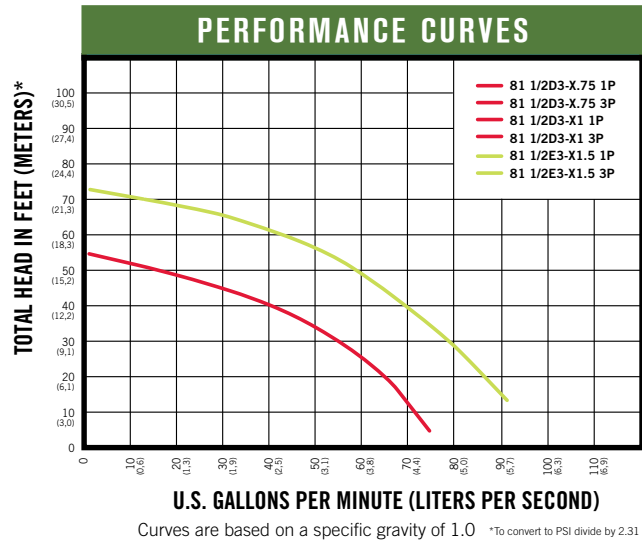
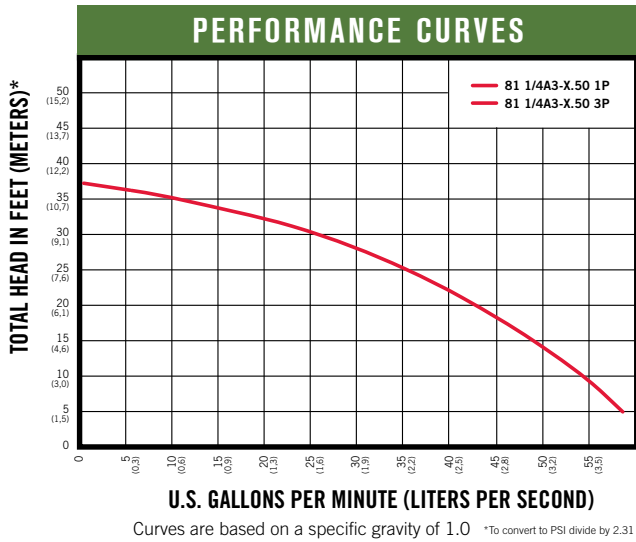
Model	Ship Wt. (Approx.)	Driver Type (HP)	Max. Solids	Suc. x Dis. (NPT)	Basic Construction	Seal Type & Elastomer/Faces	VAC 60 Hz	Phase	Amps	Motor Enclosure (RPM)
81 1/4A3-X.50 1P	85 lbs.	Electric Motor (1/2)	1/4" (6 mm)	1-1/4" x 1-1/4"	Cast Iron	Viton® Carbon/Ni-resist	115/230	1	8.4/4.2	X-Proof (3450)
81 1/4A3-X.50 3P	85 lbs.	Electric Motor (1/2)	1/4" (6 mm)	1-1/4" x 1-1/4"	Cast Iron	Viton® Carbon/Ni-resist	230/460	3	2.4/1.2	X-Proof (3450)
81 1/2D3-X.75 1P	87 lbs.	Electric Motor (3/4)	9/32" (7 mm)	1-1/2" x 1-1/2"	Cast Iron	Viton® Carbon/Ni-resist	115/230	1	11.0/5.5	X-Proof (3450)
81 1/2D3-X.75 3P	87 lbs.	Electric Motor (3/4)	9/32" (7 mm)	1-1/2" x 1-1/2"	Cast Iron	Viton® Carbon/Ni-resist	208-230/460	3	3.5-3.2/1.6	X-Proof (3450)
81 1/2D3-X1 1P	89 lbs.	Electric Motor (1)	9/32" (7 mm)	1-1/2" x 1-1/2"	Cast Iron	Viton® Carbon/Ni-resist	115/230	1	7.0/3.5	X-Proof (3450)
81 1/2D3-X1 3P	89 lbs.	Electric Motor (1)	9/32" (7 mm)	1-1/2" x 1-1/2"	Cast Iron	Viton® Carbon/Ni-resist	208-230/460	3	4.0-3.6/1.8	X-Proof (3450)
81 1/2E3-X1.5 1P	76 lbs.	Electric Motor (1-1/2)	1/4" (6 mm)	1-1/2" x 1-1/2"	Cast Iron	Viton® Carbon/Ni-resist	115/230	1	15.4/7.7	X-Proof (3450)
81 1/2E3-X1.5 3P	76 lbs.	Electric Motor (1-1/2)	1/4" (6 mm)	1-1/2" x 1-1/2"	Cast Iron	Viton® Carbon/Ni-resist	230/460	3	4.6/2.3	X-Proof (3450)

*Viton® is a registered trademark of DuPont.

NOTE: Use X-proof models for applications in Class I, Group D or Class II, Groups E, F & G or F & G environments.

MINIMAL SOLIDS-HANDLING, MEDIUM-HEAD, ELECTRIC MOTOR-DRIVEN, SELF-PRIMING CENTRIFUGAL PUMPS

80 SERIES ELECTRIC



INCHES (MILLIMETERS)		PUMP DIMENSIONAL DATA				
Model	A	B	C	D	Suction*	Discharge*
81 1/4A3-X.50 1P	8.00 (203,20)	4.75 (120,65)	8.00 (203,20)	9.16 (232,66)	1.25	1.25
81 1/4A3-X.50 3P	8.00 (203,20)	4.75 (120,65)	8.00 (203,20)	9.16 (232,66)	1.25	1.25
81 1/2D3-X.75 1P	8.50 (215,90)	5.12 (130,05)	9.63 (244,60)	9.71 (246,63)	1.50	1.50
81 1/2D3-X.75 3P	8.50 (215,90)	5.12 (130,05)	9.63 (244,60)	9.71 (246,63)	1.50	1.50
81 1/2D3-X1 1P	8.50 (215,90)	5.12 (130,05)	9.63 (244,60)	9.71 (246,63)	1.50	1.50
81 1/2D3-X1 3P	8.50 (215,90)	5.12 (130,05)	9.63 (244,60)	9.71 (246,63)	1.50	1.50
81 1/2E3-X1.5 1P	8.50 (215,90)	5.12 (130,05)	9.63 (244,60)	9.69 (246,13)	1.50	1.50
81 1/2E3-X1.5 3P	8.50 (215,90)	5.12 (130,05)	9.63 (244,60)	9.69 (246,13)	1.50	1.50

To order, visit
<http://www.pumpstoreusa.com/store/store/explosionproofpumps/>
 or call 515-223-4144

*Standard NPT Pipe Threads



©2011-2013 The Gorman-Rupp Company. The Gorman-Rupp Company reserves the right to discontinue any model or change specifications at any time without incurring any obligation.

O25-0010