



## Submersible Shredder Sewage Pump

- **Cast Iron w/Stainless Steel Motor Housing**
- **Carbide Tipped Shredder Impellers**
- **Spiral Shredder Mechanism Plate Surface Hardened for Enhanced Cutting Ability**
- **Triplex Seal System: Double Mechanical Seals Plus Shaft Seal**
- **Silicon Carbide Lower Seal**
- **115, 230 or 460 VAC @ 60 Hz Available**
- **Single or 3 Phase Available**
- **2", 3" or 4" NPT**
- **1 to 5 Horsepower**
- **Max Temperature 104° F**
- **UL/CSA Listed**

AMT Submersible Shredder Sewage pumps feature an enhanced spiral shredder mechanism plate and carbide tipped impeller to prevent clogging and reduce maintenance when cutting through stringy, fibrous and sludge type waste. Applications include sewage pumping stations, septic tanks, sewage treatment plants, dirty water drainage, flood and emergency. Motors are rated continuous duty and single phase models have thermal overload protection.

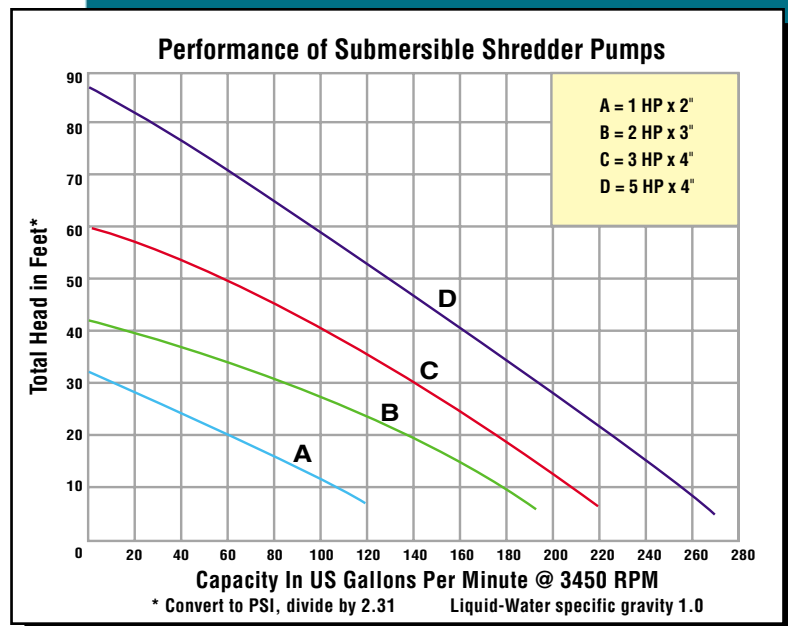
AMT Submersible Shredder Sewage Pumps are reliable, cost effective, low maintenance and many are readily available "Off-the-shelf" for fast 24 hour shipment. Minimum liquid requirements must be above 85%. Failure to do so may cause pump damage and void warranty. For use with non-flammable liquids compatible with pump component materials.

Maximum 15% Solids

## INDUSTRIAL DUTY



**Model 5765-95**



## SUBMERSIBLE SHREDDER SEWAGE PUMPS

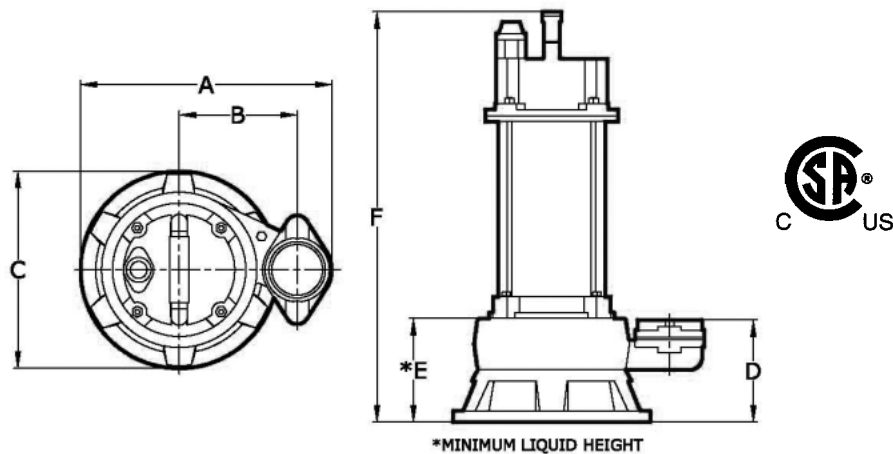
AMT P/N	Curve	Port +NPT	HP	PH	VAC @ 60 Hz	Full Load Amp	Ship Wt (Lbs)	A	B	C	D	E*	F	Max. Solids Dia.	Cord Length
5760-95	A	2"	1	1	115	13.5	50	11.5	5.4	8.9	5.8	4.6	18.5	1"	18' w/plug
5761-95	A	2"	1	1	230	6	50	11.5	5.4	8.9	5.8	4.6	18.5	1"	18'
5762-95	A	2"	1	3	230	3	50	11.5	5.4	8.9	5.8	4.6	18.5	1"	18'
576B-95	A	2"	1	3	460	1.5	50	11.5	5.4	8.9	5.8	4.6	18.5	1"	18'
5763-95	B	3"	2	1	230	12	82	14.0	6.5	10.5	6.6	5.6	21.7	1.1"	32'
5764-95	B	3"	2	3	230	6	68	14.0	6.5	10.5	6.6	5.6	17.6	1.1"	32'
576C-95	B	3"	2	3	460	3	68	14.0	6.5	10.5	6.6	5.6	17.6	1.1"	32'
5765-95	C	4"	3	1	230	16	120	16.2	7.6	10.5	6.7	5.6	22.9	1.1"	32'
5766-95	C	4"	3	3	230	8.5	105	16.2	7.6	10.5	6.7	5.6	18.9	1.1"	32'
576D-95	C	4"	3	3	460	4.3	105	16.2	7.6	10.5	6.7	5.6	18.9	1.1"	32'
5767-95	D	4"	5	3	230	14	110	16.2	7.6	10.5	6.7	5.6	19.7	1.2"	32'
576E-95	D	4"	5	3	460	7	110	16.2	7.6	10.5	6.7	5.6	19.7	1.2"	32'

+Standard Female NPT

NOTE: Dimensions are in inches and have a tolerance of  $\pm 1/8"$

NOTE: Electric Supply for ALL motors must be within  $\pm 10\%$  of nameplate voltage (Ex: 230V = 203 to 253)

### Pump Dimensional and Specification Data



### Standard Features

- > Cast Iron Construction
- > Stainless Steel Motor Housing
- > Double Mechanical Seal with Carbide Lower Seal
- > Carbide Tipped Impeller
- > UL/CSA Listed
- > Suction Screen
- > Carrying Handle
- > 104° F Max. Temperature

DJ Gongol & Associates, Inc.  
 4801 Pommel Place  
 West Des Moines, IA 50265  
 515-223-4144 | 515-223-5169 fax  
 sales@gongol.net