

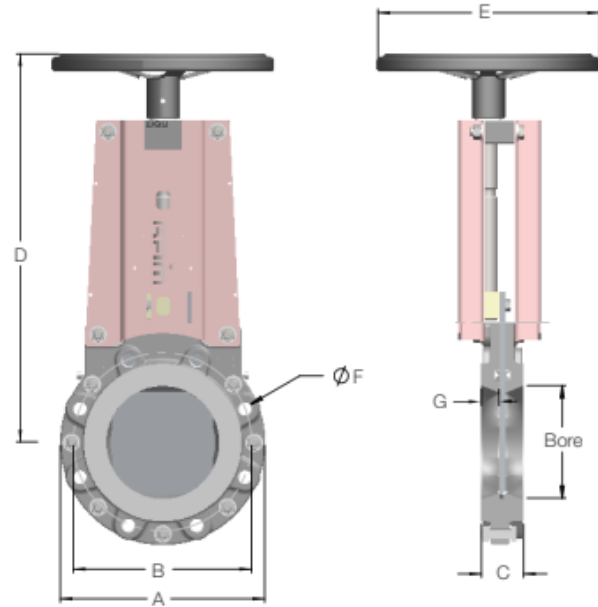
WEY KNIFE GATE VALVE VM HANDWHEEL OPERATED

Data sheet



Size 2"-16" Standard Configuration

- Design: Full Lug
- Materials: Solid Cast Ductile Iron Body
304 Stainless Steel Gate
- Solid Steel Heavy Duty Yoke Topworks
- Flange Drilling: ANSI 150
- Face-to-Face: TAPPI & MSS-SP81
- Pressure Rating:
- Larger Sizes Available on Request
- Size 2"-16" 150 psi Shut-off
- Suitable for Dead-end Service



Bore	A	B	C	D	E	F	G	Bolts	⊕	Op. Pressure	Weight
2"	6.00	4.75	1.87	12.91	5.90	5/8" - 11	0.74	4 pcs.	-	150 psi	16 lbs
3"	7.50	6.00	2.00	14.09	7.87	5/8" - 11	0.78	4 pcs.	-	150 psi	20 lbs
4"	9.00	7.50	2.00	16.18	7.87	5/8" - 11	0.78	8 pcs.	2	150 psi	27 lbs
6"	11.00	9.50	2.25	20.70	11.81	3/4" - 10	0.82	8 pcs.	2	150 psi	49 lbs
8"	13.50	11.75	2.75	23.85	11.81	3/4" - 10	1.10	8 pcs.	2	150 psi	64 lbs
10"	16.00	14.25	2.75	27.56	11.81	7/8" - 9	0.66	12 pcs.	4	150 psi	88 lbs
12"	19.00	17.00	3.00	31.29	15.75	7/8" - 9	0.78	12 pcs.	4	150 psi	143 lbs
14"	21.00	18.50	3.00	35.71	19.68	1" - 8	0.51	12 pcs.	4	150 psi	196 lbs
16"	23.50	21.25	3.50	38.97	19.68	1" - 8	0.78	16 pcs.	4	150 psi	253 lbs

⊕ = Number of Blind Tapped Holes in Chest



DJ Gongol & Associates, Inc.

PO Box 180 | West Des Moines, IA 50061-0180
4328 North Dawson | Cumming, IA 50061
515-223-4144 | 515-981-0581 fax
info@gongol.net